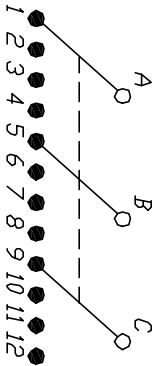
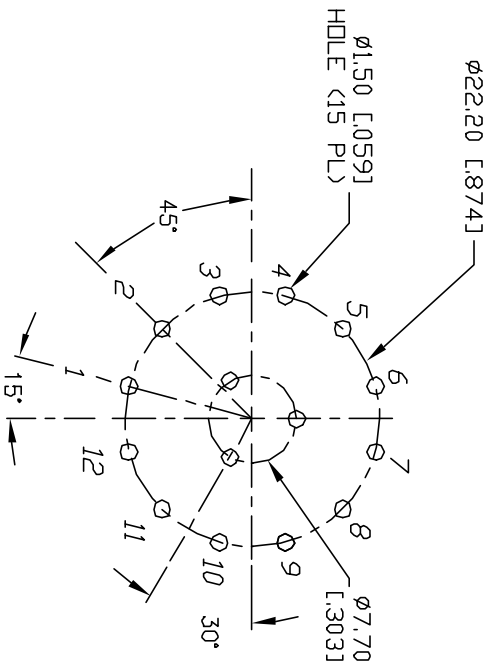


NOTES:

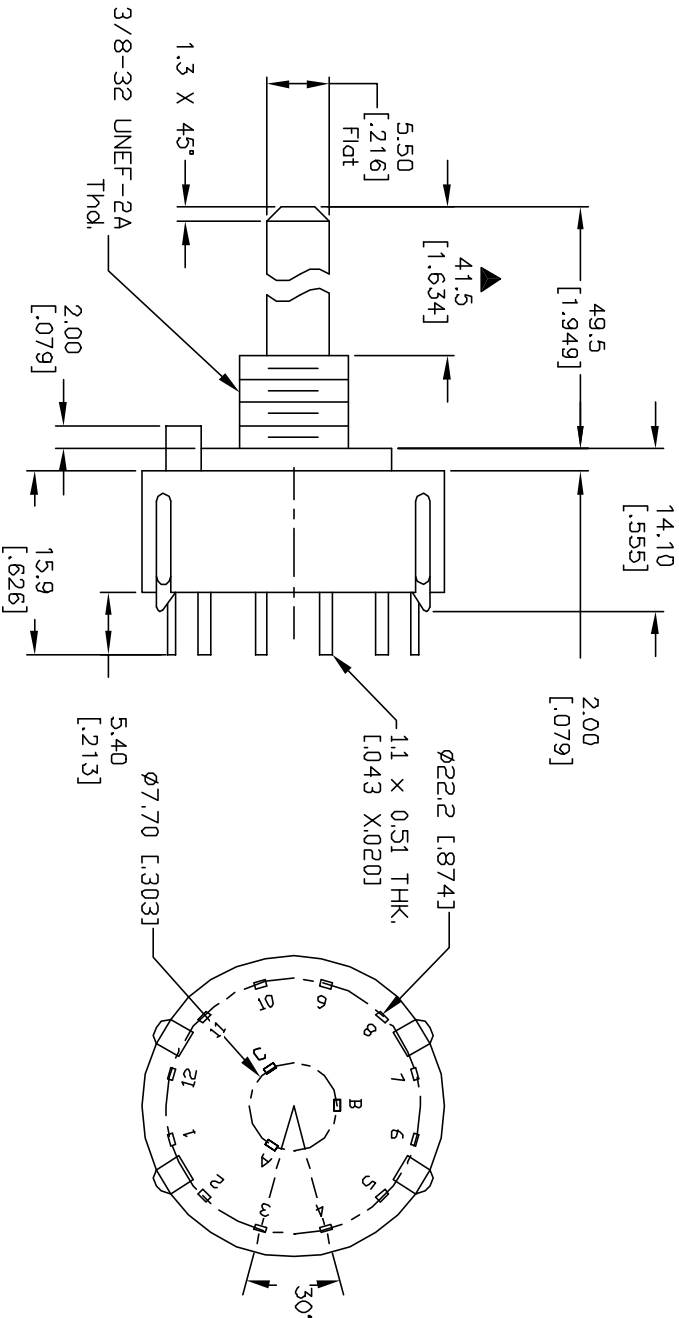
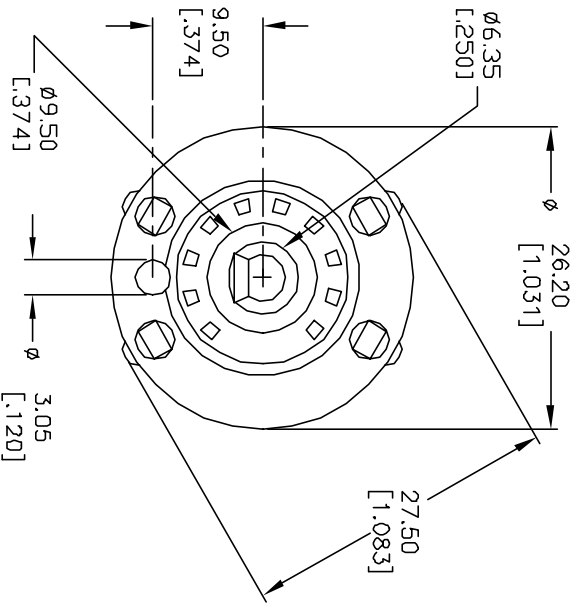
1. ALL DIMENSION IN MM [INCH]
2. GENERAL TOLERANCE: X.X=±0.4
X.XX=±0.25
3. TERM. NOS. FOR REF. ONLY
4. CONTACT RATING SWITCHING: 150mA, 250V AC/DC
350mA, 110V AC/DC
5. CONTACT RATING (NON-SWITCHING) 5A
6. OPERATING FORCE: 425±100 CM/STANDARD
7. OPERATING TEMP: -30° to 85°C
- ▲ 8. CIRCUIT 3P: 4 POSITIONS, 30° INDEX.
- ▲ 9. DIELECTRIC STRENGTH 1000V RMS min. @ SEA LEVEL
- ▲ 10. DESIGNATE MAJOR DIMENSIONS
11. LOCK NUT AND WASHER NOT SHOWN.



CONTACT CONFIGURATION (BBM)



RECOMMENDED P.C.B. LAYOUT



E-SWITCH®

KC-34-SP-01-N-P-S-E

REV.	ECN No.	DESCRIPTION	DATE	CHKD
A	11281	RELEASED FOR PRODUCTION	3/7/01	CJB

TITLE	SCALE	DATE	DR	DWG	REV
KC-34-SP-01-N-P-S-E	1.5:1	3/7/01	CJB	G527680	A

THE INFORMATION CONTAINED IN THIS DOCUMENT IS PROPRIETARY TO E-SWITCH AND IS NOT TO BE COPIED OR TRANSFERRED